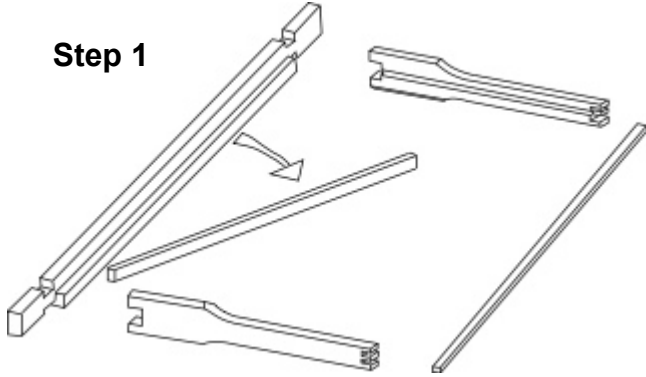


Frame Assembly - DN4, SN4, 14x12



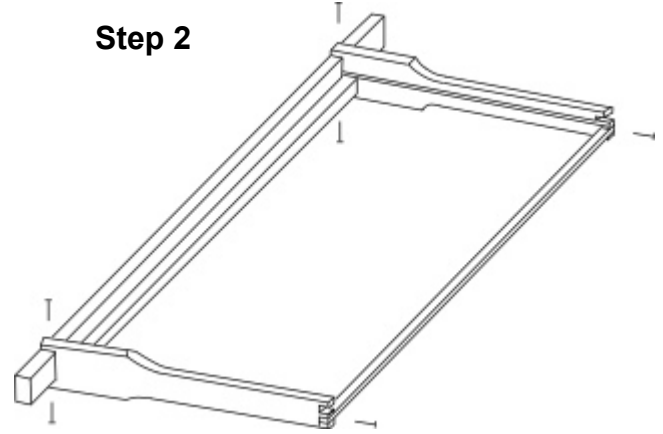
**UK
BEES**

Step 1



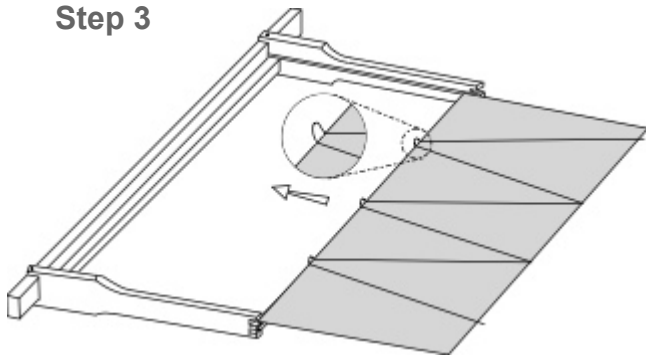
Remove the wedge from the top bar. Assemble the top bar, side bars and one bottom bar. Side bars have the groove on the inside.

Step 2



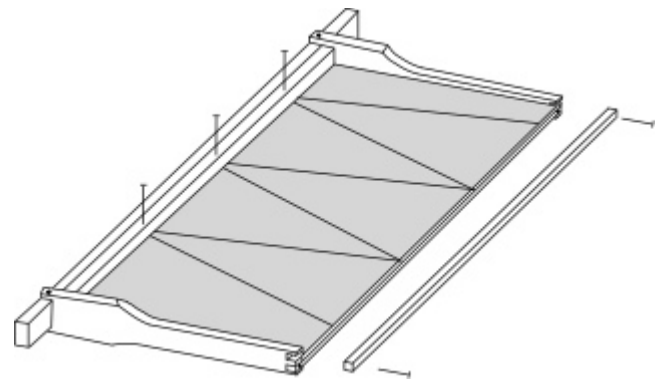
Nail as shown – 2 nails for each side bar, and nail bottom bar up through side bar when nailing Hoffman frames.

Step 3

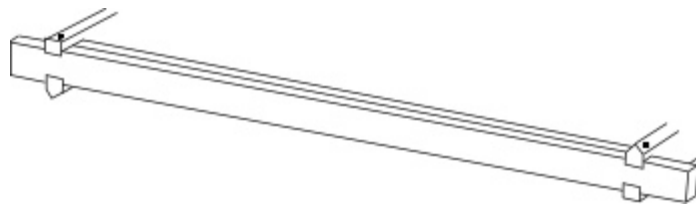


Bend over long wire loops of foundation. Slide foundation along grooves onto top bar.

Step 4



Nail the wedge onto the top bar, trapping the bent wires. Nail through each loop of wire at a slight angle. Fit and nail the second bottom bar.



When assembling Hoffman self-spacing frames, ensure the two 'V' shaped edges are in the same orientation as the diagram.

The assembly process is exactly the same for SN1 frames but the side bars are flat and do not have V shaped edges

Support

For all enquiries regarding your purchase, or if you have any questions regarding the assembly, please contact UK Bees - support@ukbees.uk. Alternatively, you can open a Support Ticket by visiting your Account page on the website - <https://ukbees.uk/my-account/>